



aerospace
 climate control
 electromechanical
 filtration
 fluid & gas handling
hydraulics
 pneumatics
 process control
 sealing & shielding



ACC50 Sensors

Catalog HY33-2360/US



ENGINEERING YOUR SUCCESS.

Application

The ACC50 acceleration sensor belongs to the Parker family of accessories provided to complement electronic control systems. The ACC50 is a 0-5 Vdc output accelerometer and has a variety of uses for mobile hydraulic applications. The ACC50 can be used to sense vibration, impact, tilt and motion of the equipment where it is mounted. The sensor has twelve inch leads with an attached Deutsch connector. To make the sensor suitable for mobile equipment, we have focused upon properties such as reliability, electromagnetic immunity and ease of installation.

Properties

Reliability

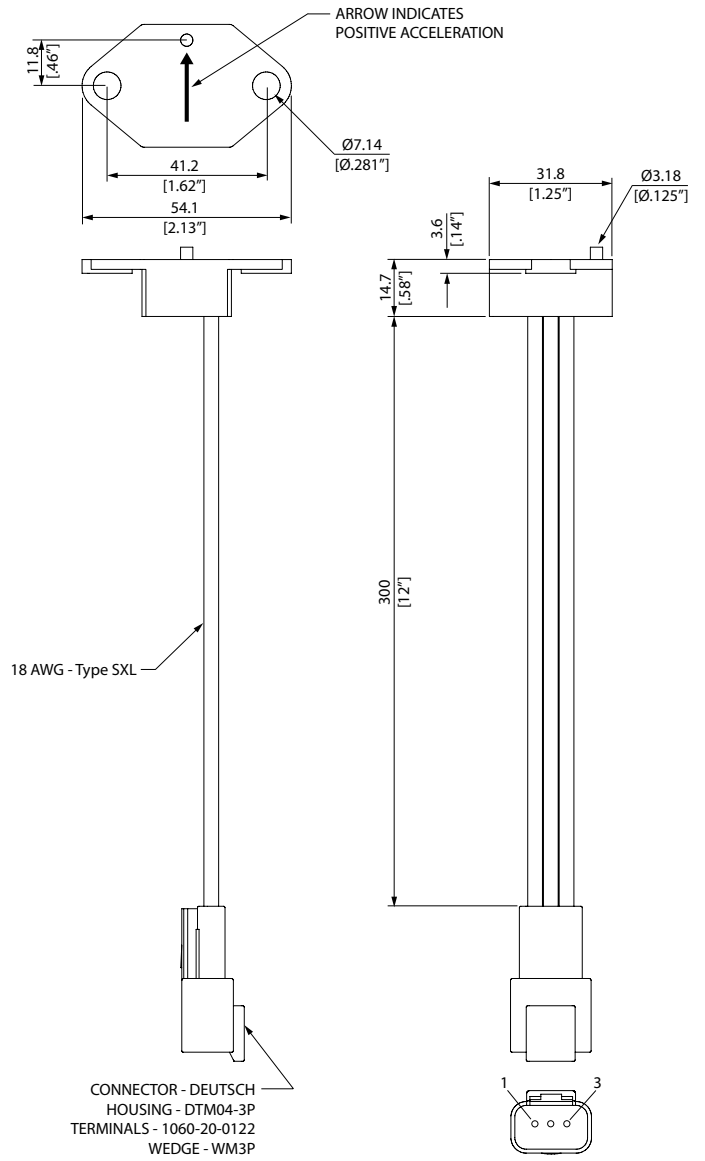
The ACC50 has a glass-filled nylon plastic construction for sturdiness and corrosion resistance. The sensor uses micro-machined technology for trouble free operation. The sensor is very robust and able to withstand rugged applications.

Electromagnetic immunity

The design of the ACC50 has a high level of EMI protection.

Installation

The ACC50 is well designed for the mobile hydraulics industry. The 3 pin connector is a sealed Deutsch DTM type designed for automotive use. This connector combined with potted electronics gives the sensor IP67 protection for exposed outdoor applications. The mounting holes are large and a locating pin simplifies alignment. These features provide for easy installation and removal, even in field conditions.



General

Weight 62 g
 Temperature range -40°C to 125°C
 Operating life 1 billion cycles
 (1kHz@10G peak)
 Measuring range ±1.5 G
 Total error ±3.5% @ 0G
 (temperature+sensitivity) ±5.2% @ ±1G
 ±6.0% @ ±1.5G

Mechanical characteristics

Mounting plane Vertical (bump, drop)
 Horizontal (bump, tilt)
 Connector Deutsch DTM

Electrical specifications

Zero point 2.5 Vdc
 +1G (arrow up) 3.8 Vdc nominal
 -1G (arrow down) 1.2 Vdc nominal
 Supply Voltage(Vs) 5.0 Vdc
 Current supply Max 10 mA
 Output range 0.5 - 4.5 Vdc

Ordering part number

ACC50 01767

Environmental protection

EMI

ISO 11452-2 100 V/m

ESD

EN 61000-4-2 7 kV

Mechanical

Shock 50 Gs
 Vibration 30 Gs

Climate

Sealing (electronics) IP67

Chemical environment

Liquids (resistance) standard automotive



WARNING - USER RESPONSIBILITY

FAILURE OR IMPROPER SELECTION OR IMPROPER USE OF THE PRODUCTS DESCRIBED HEREIN OR RELATED ITEMS CAN CAUSE DEATH, PERSONAL INJURY AND PROPERTY DAMAGE.

- This document and other information from Parker-Hannifin Corporation, its subsidiaries and authorized distributors provide product or system options for further investigation by users having technical expertise.
- The user, through its own analysis and testing, is solely responsible for making the final selection of the system and components and assuring that all performance, endurance, maintenance, safety and warning requirements of the application are met. The user must analyze all aspects of the application, follow applicable industry standards, and follow the information concerning the product in the current product catalog and in any other materials provided from Parker or its subsidiaries or authorized distributors.
- To the extent that Parker or its subsidiaries or authorized distributors provide component or system options based upon data or specifications provided by the user, the user is responsible for determining that such data and specifications are suitable and sufficient for all applications and reasonably foreseeable uses of the components or systems.

OFFER OF SALE

Please contact your Parker representative for a detailed "Offer of Sale".