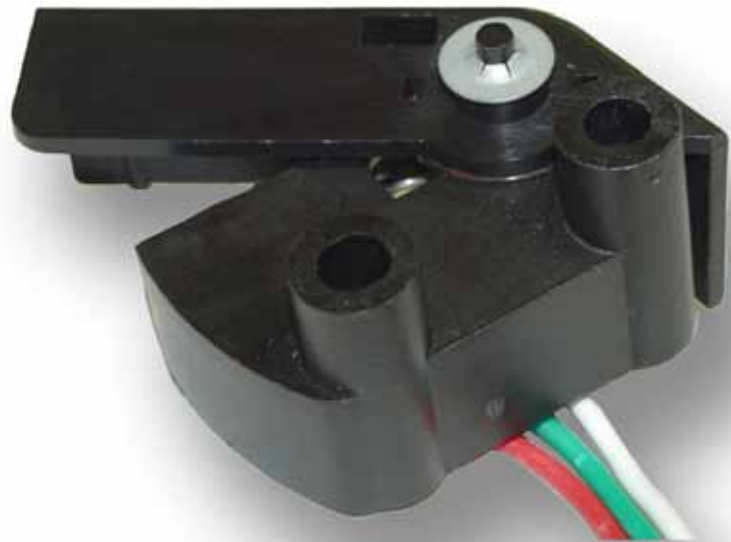




aerospace
climate control
electromechanical
filtration
fluid & gas handling
hydraulics
pneumatics
process control
sealing & shielding



ADS50 Sensors

Catalog HY33-2364/US



ENGINEERING YOUR SUCCESS.

Application

The ADS50 analog sensor belongs to the Parker family of accessories provided to complement electronic control systems. The ADS50 is a 0-5V output, non-contact, analog sensor for mobile hydraulic applications. The sensor is lever actuated and provides a linear output over 25 mm [1.0"] of travel. The ADS50 has twelve inch leads and an attached Deutsch connector. To make the sensor suitable for mobile equipment, we have focused upon properties such as reliability and ease of installation.

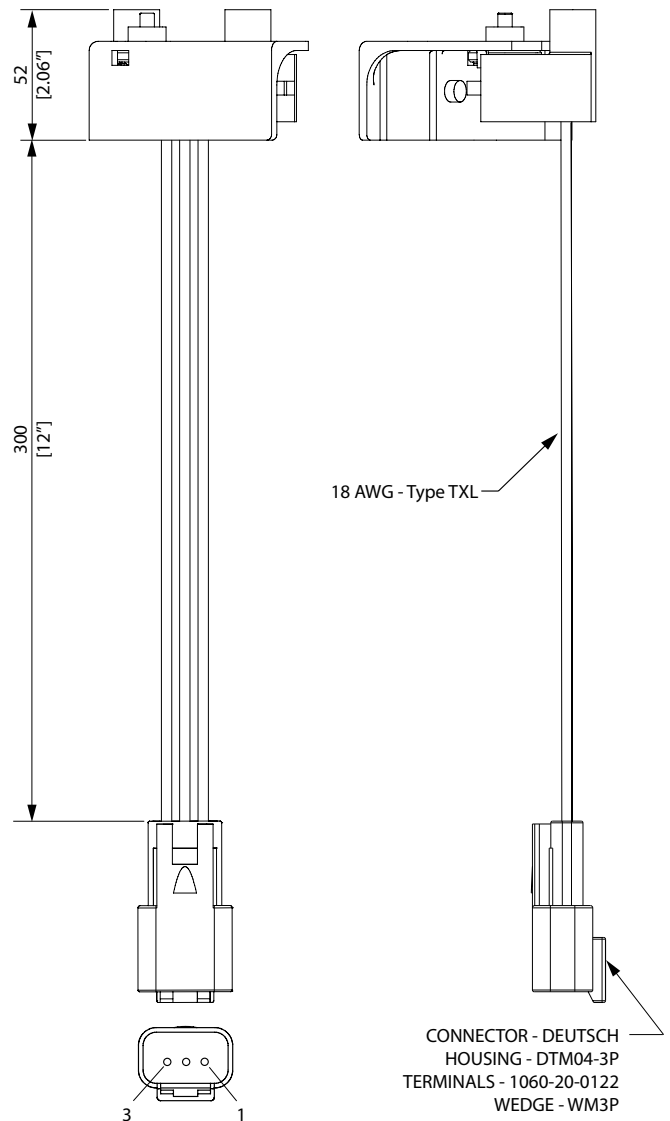
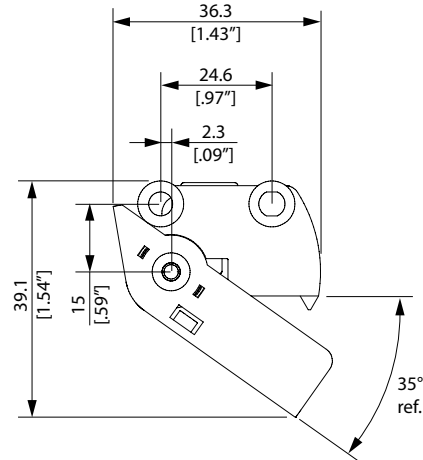
Properties

Reliability

The ADS50 has a glass-filled nylon plastic construction for strength and corrosion resistance. The sensor uses non-contact, Hall-effect technology for trouble free operation. The sensor is very robust and able to withstand rugged applications.

Installation

The ADS50 is well designed for the mobile hydraulics industry. The 3 pin connector is a sealed Deutsch DTM type designed for automotive use. This connector, combined with potted electronics, gives the sensor IP66 protection for exposed outdoor applications. The mounting holes are extra large for easy alignment. These features provide for easy installation and removal, even in field conditions.



General

Weight	39 g
Temperature range	-40°C to 85°C
Operating life	1 million cycles
Linearity	Max ±5.0% FS
Repeatability	±1.0%

Mechanical characteristics

Linear travel	25 mm [1.0"]
Connector	Deutsch DTM

Electrical specifications

Supply Voltage(Vs)	5.0 Vdc
Current supply	Max 12.0 mA
Output fully closed	90% Vs
Output fully open	10% Vs
Output current	Max. 1.0 mA

Ordering part number

ADS50	01710
-------	-------

Environmental protection

Mechanical

Shock	1m drop
Vibration	30 Gs

Climate

Sealing (electronics)	IP66
-----------------------	------

Chemical environment

Liquids (resistance)	standard automotive
----------------------	---------------------



WARNING - USER RESPONSIBILITY

FAILURE OR IMPROPER SELECTION OR IMPROPER USE OF THE PRODUCTS DESCRIBED HEREIN OR RELATED ITEMS CAN CAUSE DEATH, PERSONAL INJURY AND PROPERTY DAMAGE.

- This document and other information from Parker-Hannifin Corporation, its subsidiaries and authorized distributors provide product or system options for further investigation by users having technical expertise.
- The user, through its own analysis and testing, is solely responsible for making the final selection of the system and components and assuring that all performance, endurance, maintenance, safety and warning requirements of the application are met. The user must analyze all aspects of the application, follow applicable industry standards, and follow the information concerning the product in the current product catalog and in any other materials provided from Parker or its subsidiaries or authorized distributors.
- To the extent that Parker or its subsidiaries or authorized distributors provide component or system options based upon data or specifications provided by the user, the user is responsible for determining that such data and specifications are suitable and sufficient for all applications and reasonably foreseeable uses of the components or systems.

OFFER OF SALE

Please contact your Parker representative for a detailed "Offer of Sale".