



aerospace
climate control
electromechanical
filtration
fluid & gas handling
hydraulics
pneumatics
process control
sealing & shielding



FP2000 Sensors

Catalog HY33-2352/US



FLUITRONIC
La solution électronique

ENGINEERING YOUR SUCCESS.

Application

The FP2000 sensor belongs to the Parker family of accessories provided to complement electronic control systems. The FP2000 is a ferrous proximity sensor for mobile hydraulic applications and will sense ferrous objects. The sensor is available with the sense zone on the side (site A) or on the top (site B) of the case. The 'site A' version has twelve inch leads with an attached Deutsch DTM connector. The 'site B' version has 10.5 inch leads with an attached Deutsch DT connector. To make the sensor suitable for mobile equipment, we have focused upon properties such as reliability and ease of installation.

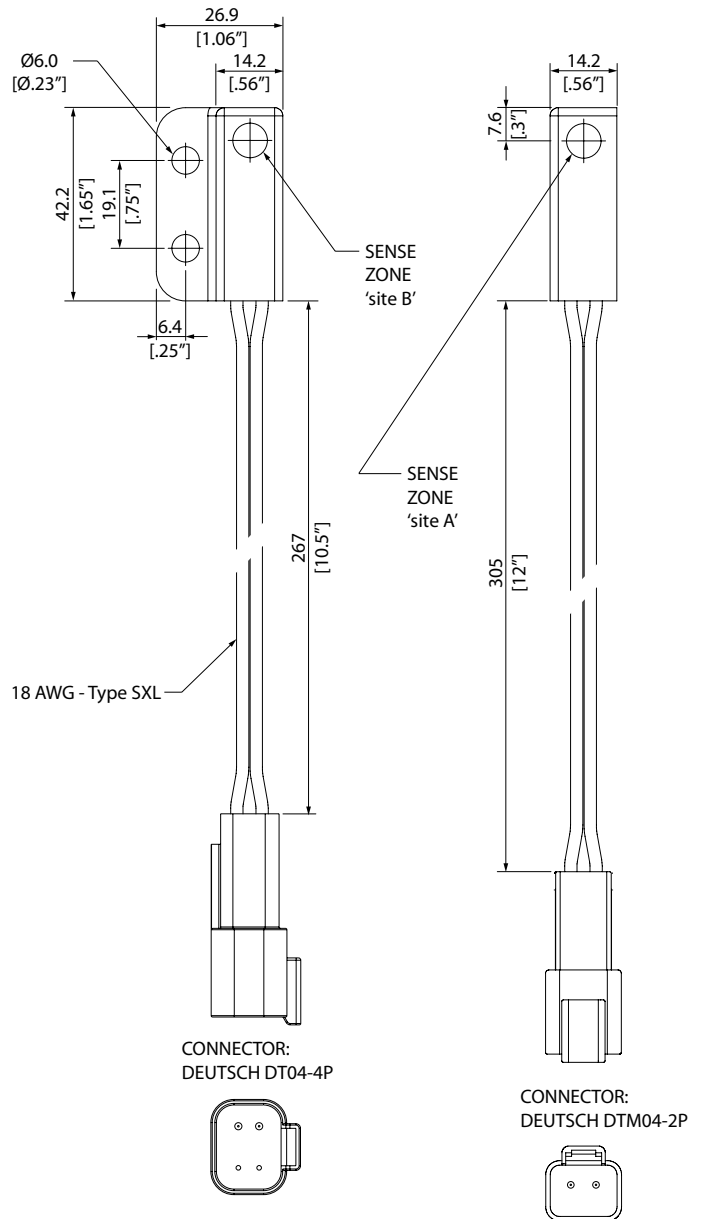
Properties

Reliability

The FP2000 has a glass-filled nylon plastic construction for strength and corrosion resistance. The sensor uses non-contact technology, through the use of an internal reed switch, for trouble free operation. The sensor is very robust and able to withstand rugged applications.

Installation

The FP2000 is well designed for the mobile hydraulics industry. The connectors are sealed Deutsch types designed for automotive use. A sealed connector combined with potted electronics gives the sensor excellent protection for exposed outdoor applications. The mounting holes are extra large for easy alignment. These features provide for easy installation and removal, even in field conditions.



General

Weight 24 g
 Temperature range -40°C to 105°C
 Operating life 10 million cycles
 (at logic load)

FP2000 site A
 Airgap “make” (signal high) Min 5.1 mm [0.20”]
 Airgap “break” (signal low) Max 11.4 mm [0.45”]

FP2000 site B

Airgap “make” (signal high) Min 5.6 mm [0.22”]
 Airgap “break” (signal low) Max 9.9 mm [0.39”]

Mechanical characteristics

Switch type Normally open
 Connector (site A) Deutsch DTM 2 pin
 Connector (site B) Deutsch DT 4 pin

Electrical characteristics

Contact resistance (initial) Max 200 mΩ
 Breakdown voltage Min 200 VDC
 Switching voltage Max 100 VAC/VDC
 Switching current DC Max 300 mA
 Bounce time Max 0.4 ms

Ordering part number

FP2000 NO site A 01695
 FP2000 NO site B 01038

Environmental protection

Mechanical

Shock 1m drop
 Vibration 30 Gs

Climate

Sealing IP6K9K

Chemical environment

Liquids (resistance) standard automotive



WARNING - USER RESPONSIBILITY

FAILURE OR IMPROPER SELECTION OR IMPROPER USE OF THE PRODUCTS DESCRIBED HEREIN OR RELATED ITEMS CAN CAUSE DEATH, PERSONAL INJURY AND PROPERTY DAMAGE.

- This document and other information from Parker-Hannifin Corporation, its subsidiaries and authorized distributors provide product or system options for further investigation by users having technical expertise.
- The user, through its own analysis and testing, is solely responsible for making the final selection of the system and components and assuring that all performance, endurance, maintenance, safety and warning requirements of the application are met. The user must analyze all aspects of the application, follow applicable industry standards, and follow the information concerning the product in the current product catalog and in any other materials provided from Parker or its subsidiaries or authorized distributors.
- To the extent that Parker or its subsidiaries or authorized distributors provide component or system options based upon data or specifications provided by the user, the user is responsible for determining that such data and specifications are suitable and sufficient for all applications and reasonably foreseeable uses of the components or systems.

OFFER OF SALE

Please contact your Parker representative for a detailed "Offer of Sale".