



aerospace
 climate control
 electromechanical
 filtration
 fluid & gas handling
 hydraulics
 pneumatics
 process control
 sealing & shielding



FP4000 Sensors

Catalog HY33-2354/US



ENGINEERING YOUR SUCCESS.

Application

The FP4000 sensor belongs to the Parker family of accessories provided to complement electronic control systems. The FP4000 is a ferrous proximity sensor with increased power handling capability for mobile hydraulic applications and will sense ferrous objects. The sensor has twelve inch leads with an attached Deutsch connector. To make the sensor suitable for mobile equipment, we have focused upon properties such as reliability and ease of installation.

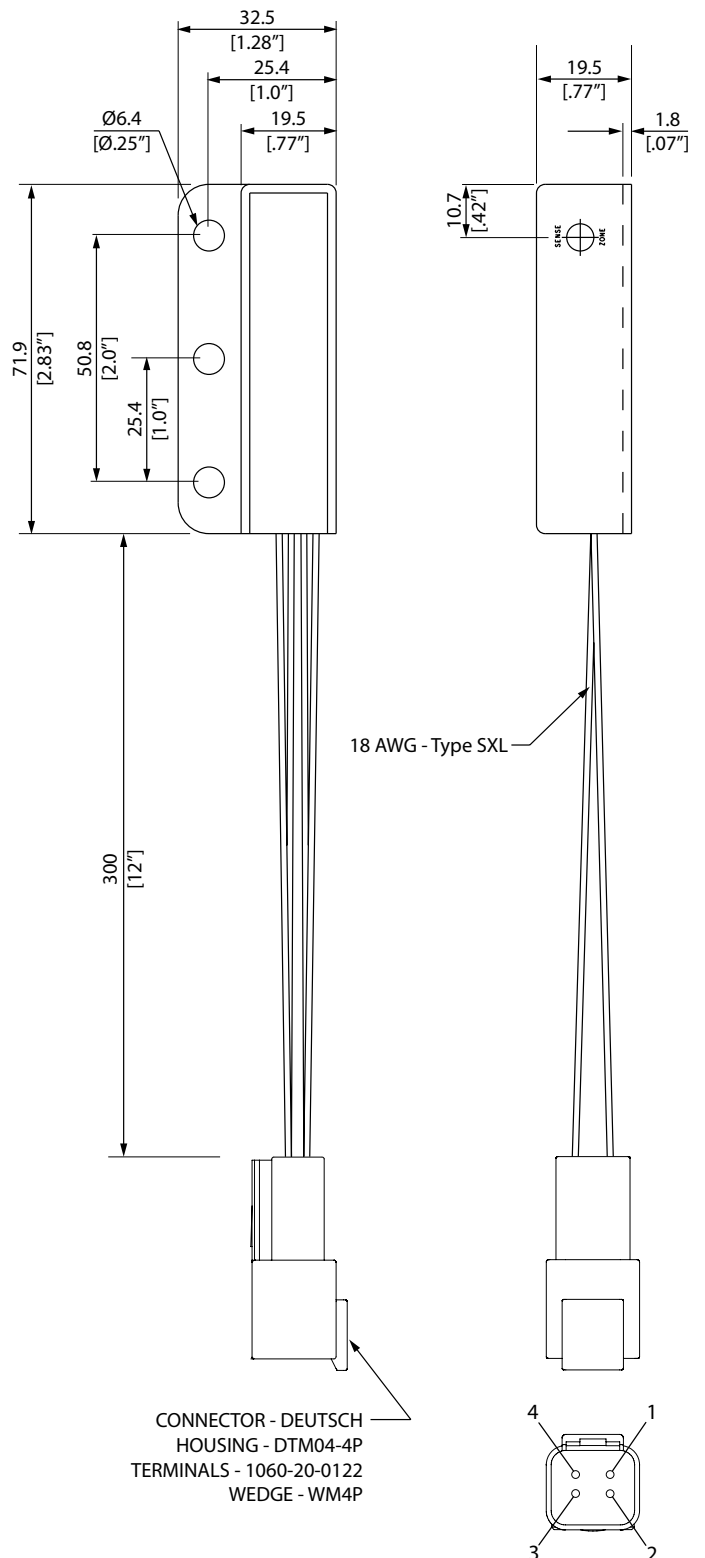
Properties

Reliability

The FP4000 has a glass-filled nylon plastic construction for strength and corrosion resistance. The sensor uses non-contact technology, through the use of an internal reed switch, for trouble free operation. The sensor is very robust and able to withstand rugged applications.

Installation

The FP4000 is well designed for the mobile hydraulics industry. The 4 pin connector is a sealed Deutsch DTM type designed for automotive use. This connector combined with potted electronics gives the sensor excellent protection for exposed outdoor applications. The mounting holes are extra large for easy alignment. These features provide for easy installation and removal, even in field conditions.



General

Weight	58 g
Temperature range	-40°C to 85°C
Voltage supply (Vs)	12 VDC
Operating life	50 million cycles
Airgap "make" (signal high)	Min 6.4 mm [0.25"]
Airgap "break" (signal low)	Max 7.2 mm [0.28"]

Mechanical characteristics

Switch type	Normally Open/ Normally Closed
Connector	Deutsch DTM

Electrical characteristics

Contact resistance (initial)	Max 30 mΩ
Breakdown voltage	2000 VAC
Switching voltage max	12 VDC
Switching current DC	Max 5 A
Bounce time	Max 0.3 ms

Ordering part number

FP4000	01703
--------	-------

Environmental protection**Mechanical**

Shock	1m drop
Vibration	30 Gs

Climate

Sealing	IP6K9K
---------	--------

Chemical environment

Liquids (resistance)	standard automotive
----------------------	---------------------

**WARNING - USER RESPONSIBILITY****FAILURE OR IMPROPER SELECTION OR IMPROPER USE OF THE PRODUCTS DESCRIBED HEREIN OR RELATED ITEMS CAN CAUSE DEATH, PERSONAL INJURY AND PROPERTY DAMAGE.**

- This document and other information from Parker-Hannifin Corporation, its subsidiaries and authorized distributors provide product or system options for further investigation by users having technical expertise.
- The user, through its own analysis and testing, is solely responsible for making the final selection of the system and components and assuring that all performance, endurance, maintenance, safety and warning requirements of the application are met. The user must analyze all aspects of the application, follow applicable industry standards, and follow the information concerning the product in the current product catalog and in any other materials provided from Parker or its subsidiaries or authorized distributors.
- To the extent that Parker or its subsidiaries or authorized distributors provide component or system options based upon data or specifications provided by the user, the user is responsible for determining that such data and specifications are suitable and sufficient for all applications and reasonably foreseeable uses of the components or systems.

OFFER OF SALE

Please contact your Parker representative for a detailed "Offer of Sale".