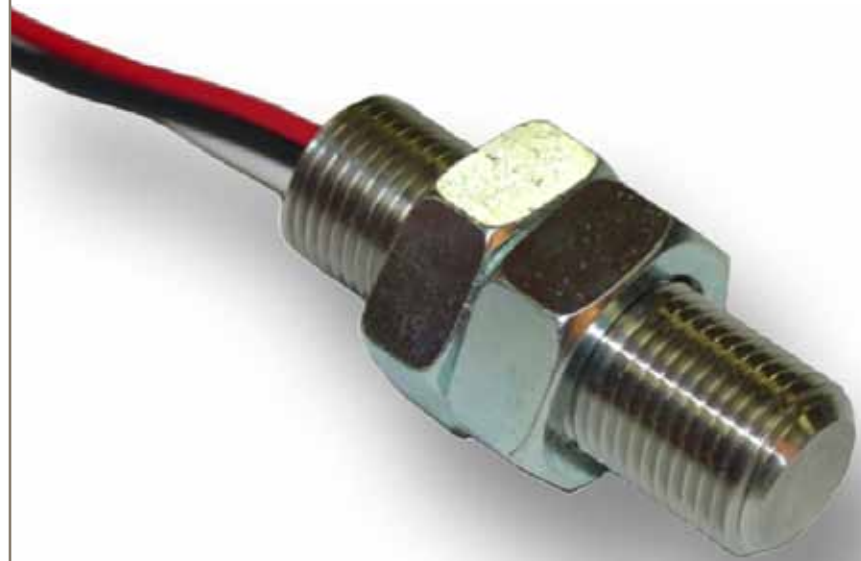




aerospace
climate control
electromechanical
filtration
fluid & gas handling
hydraulics
pneumatics
process control
sealing & shielding



GS60 Sensors

Catalog HY33-2359/US



ENGINEERING YOUR SUCCESS.

Application

The GS60 speed sensor belongs to the Parker family of accessories provided to complement electronic control systems. The GS60 is a digital output, non-contact, ferrous sensor and has a wide voltage supply range for mobile hydraulic applications. The GS60 can be used as a speed pickup with a variety of toothed wheels. The sensor has twelve inch leads with an attached Deutsch connector. To make the sensor suitable for mobile equipment, we have focused upon properties such as reliability, electromagnetic immunity and ease of installation.

Properties

Reliability

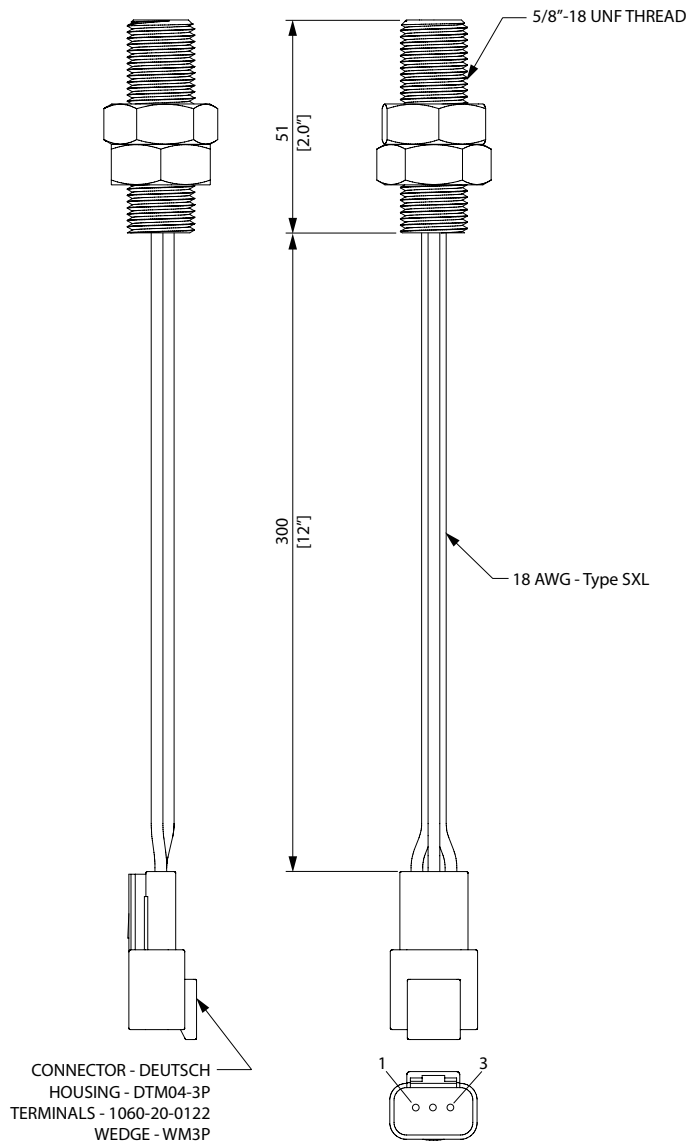
The GS60 has stainless steel construction for sturdiness and corrosion resistance. The heavy-duty mounting nuts for locking the sensor in position are also stainless steel. The sensor uses back-biased, Hall-effect technology for trouble free operation. The digital switch has an internal pull-up resistor and a self-adjusting digital output which is immune to variations in air gap and rotary alignment. The sensor is very robust and able to withstand rugged applications.

Electromagnetic immunity

The design of the GS60 has a high level of EMI protection.

Installation

The GS60 is well designed for the mobile hydraulics industry. The sensor barrel is threaded for its entire length and is a common 5/8" diameter. The 3 pin connector is a sealed Deutsch DTM type designed for automotive use. This connector combined with potted electronics gives the sensor IP67 protection for exposed outdoor applications. The fully threaded provides for easy installation and removal, even in field conditions.



General

Weight 94 g
 Temperature range -40°C to 85°C
 Air gap 0 - 5.0 [0 - .197"]
 (target size and material dependent)

Mechanical characteristics

Mounting Threaded body
 Connector Deutsch DTM

Electrical specifications

Frequency range 0 - 10 kHz
 Supply Voltage(Vs) 5 - 24 Vdc operational
 Max 30 Vdc
 Current supply 8 mA typical
 Output type Digital switch, open collector
 Output current Max 25 mA

Ordering part number

GS60 01712

Environmental protection

EMI
 ISO 11452-2 100 V/m

ESD
 EN 61000-4-2 8 kV

Mechanical

Shock 1m drop
 Vibration 30 Gs

Climate

Sealing (electronics) IP67

Chemical environment

Liquids (resistance) standard automotive



WARNING - USER RESPONSIBILITY

FAILURE OR IMPROPER SELECTION OR IMPROPER USE OF THE PRODUCTS DESCRIBED HEREIN OR RELATED ITEMS CAN CAUSE DEATH, PERSONAL INJURY AND PROPERTY DAMAGE.

- This document and other information from Parker-Hannifin Corporation, its subsidiaries and authorized distributors provide product or system options for further investigation by users having technical expertise.
- The user, through its own analysis and testing, is solely responsible for making the final selection of the system and components and assuring that all performance, endurance, maintenance, safety and warning requirements of the application are met. The user must analyze all aspects of the application, follow applicable industry standards, and follow the information concerning the product in the current product catalog and in any other materials provided from Parker or its subsidiaries or authorized distributors.
- To the extent that Parker or its subsidiaries or authorized distributors provide component or system options based upon data or specifications provided by the user, the user is responsible for determining that such data and specifications are suitable and sufficient for all applications and reasonably foreseeable uses of the components or systems.

OFFER OF SALE

Please contact your Parker representative for a detailed "Offer of Sale".