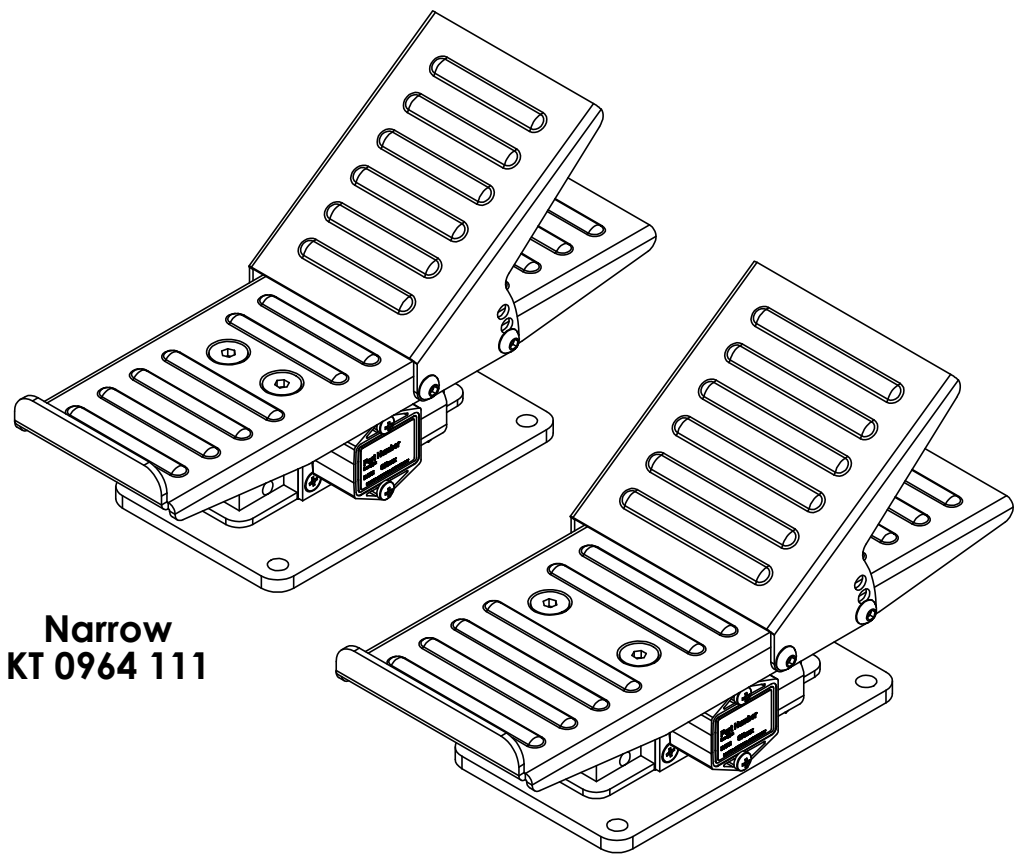


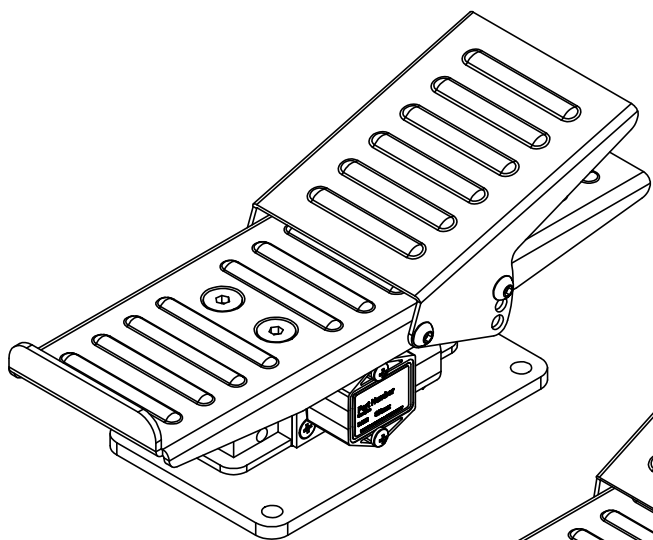
Exploded view of the narrow adjustable tilting plate kit



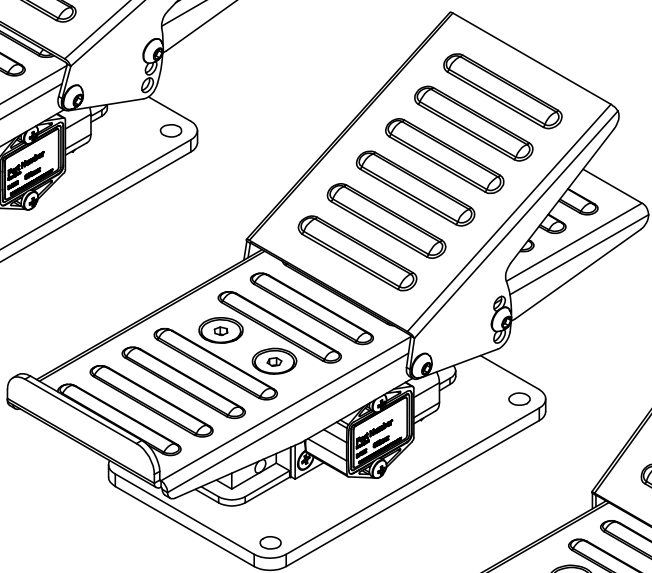
Narrow
KT 0964 111

Wide
KT 0964 211

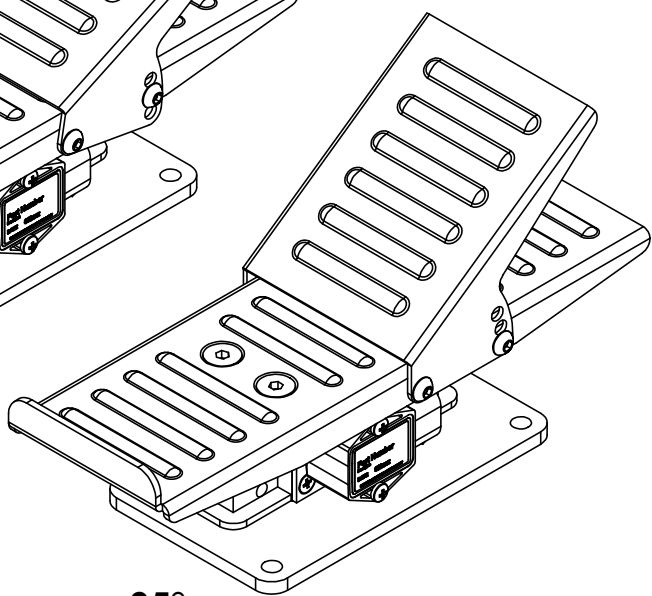
Could be narrow or wide



15°




25°



35°

Adjustable tilting plate 15°, 25° or 35°

ITEM Nr	PART NUMBER	DESCRIPTION	QTY
1	964111 - 211	Adjustable plate narrow - wide	1
2	964112	Nut plate	2
3	M6X12DIN7380	Screw	4

UNLESS OTHERWISE SPECIFIED: DIMENSIONS ARE IN MILLIMETERS SURFACE FINISH: TOLERANCES: LINEAR: +/- 0.1 ANGULAR: +/- 0.5		FINISH: -	DEBUR AND BREAK SHARP EDGES	DO NOT SCALE DRAWING	SIZE: A3
DRAWN LJY 6/07/2009			 La solution électronique	PART NR: KT 0964 111 or KT 0964 211	
CHK'D GD 6/07/2009				TITLE: Kit adjustable tilting plate for dual acting pedal narrow or wide	
This drawing is confidential and remains the sole property of Mobile Control Systems S.A. This document is protected in accordance with the prevailing law.			MATERIAL: -	DWG NO. 503 319	REV: C
			WEIGHT: gr	SCALE:1:1	SHEET 1 OF 1