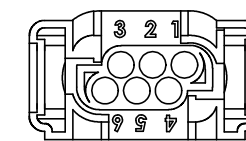


**INCLUDED**

COUNTER CONNECTOR KIT PN : **KTCN 0962 001**

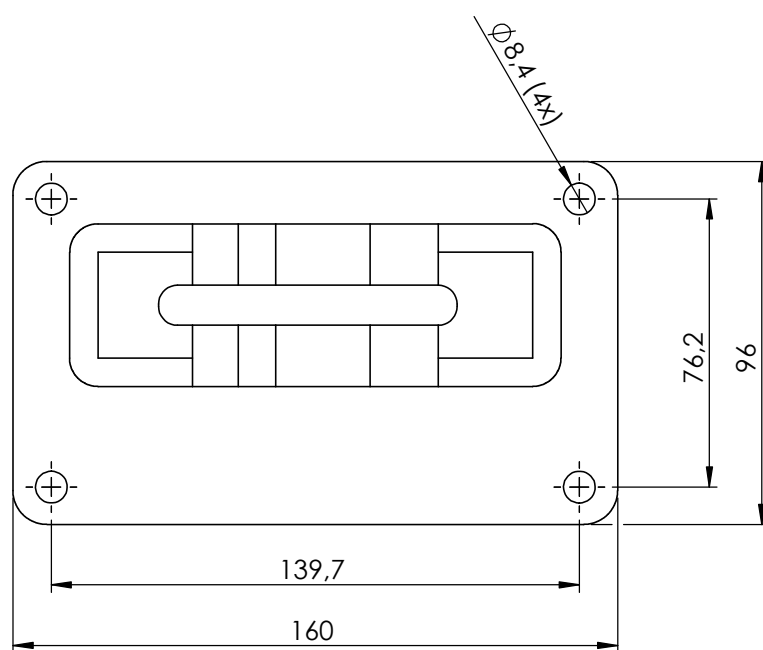
- Connector : AMP Nr. 1-967616-1 (x1)
- Terminals : AMP Nr. 0-0963727-1 (x7)
- Wire seal : AMP Nr. 0-0967067-1 (x6)



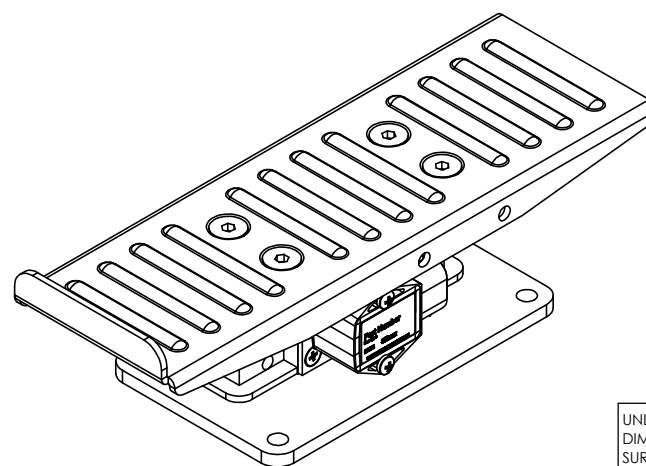
Wire side view

	FUNCTION	PIN N°
Signal1	Supply +5V	1
	Ground 0V	2
	Ana1: 0,5 - 4,5V	4
Signal2	Supply +5V	6
	Ground 0V	5
	Ana2: 0,5 - 4,5V	3

current MAX/Output :1mA



Narrow base plate  
Fixing holes  
Upper view



**!!! WARNING !!!**  
Connect throttle sensor ground  
to engine ECU ground terminals only.  
**DO NOT CONNECT TO CHASSIS GROUND**

UNLESS OTHERWISE SPECIFIED: DIMENSIONS ARE IN MILLIMETERS SURFACE FINISH: TOLERANCES: LINEAR: +/- 0.1 ANGULAR: +/- 0.5		FINISH: See exploded view	DEBUR AND BREAK SHARP EDGES	DO NOT SCALE DRAWING	SIZE: A3
PART NR:				964 115 L202	
TITLE:				Narrow Dual acting foot pedal Dual Analog 0,5 -2.5 - 4.5V Signal1 = Signal2	
MATERIAL: See exploded view				DWG NO.	504 126
This drawing is confidential and remains the sole property of Mobile Control Systems S.A. This document is protected in accordance with the prevailing law.				SCALE:1:2	REV:
WEIGHT: 2 000 gr				SHEET 1 OF 1	