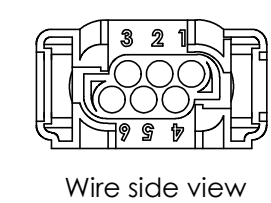
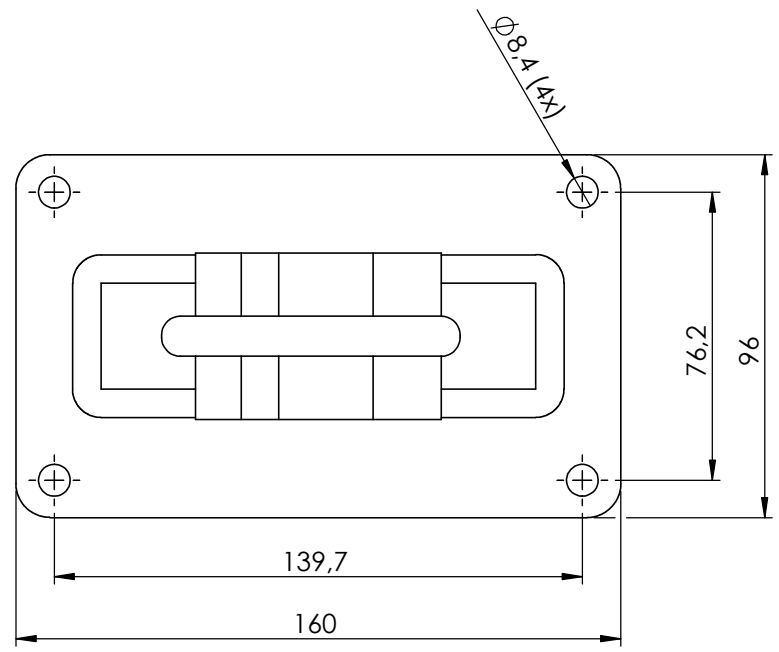


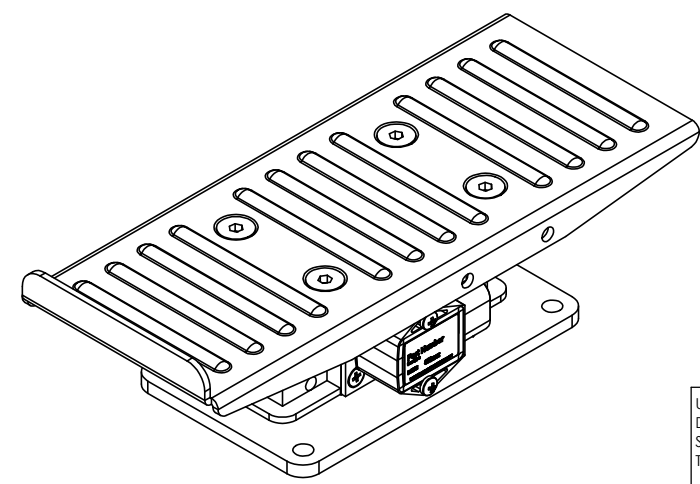
INCLUDED
 COUNTER CONNECTOR KIT PN : **KTCN 0962 001**
 Connector : AMP Nr. 1-967616-1 (x1)
 Terminals : AMP Nr. 0-0963727-1 (x7)
 Wire seal : AMP Nr. 0-0967067-1 (x6)



	FUNCTION	PIN N°
Signal1	Supply +5V	1
	Ground 0V	2
	Ana1: 0,5 - 4,5V	4
Signal2	Supply +5V	6
	Ground 0V	5
	Ana2: 0,5 - 4,5V	3



Wide base plate
 Fixing holes
 Upper view



!!! WARNING !!!
 Connect throttle sensor ground
 to engine ECU ground terminals only.
 DO NOT CONNECT TO CHASSIS GROUND

UNLESS OTHERWISE SPECIFIED: DIMENSIONS ARE IN MILLIMETERS		FINISH: See exploded view	DEBUR AND BREAK SHARP EDGES	DO NOT SCALE DRAWING	SIZE: A3
SURFACE FINISH: TOLERANCES: LINEAR: +/- 0.1 ANGULAR: +/- 0.5				PART NR:	964 115 L252
DRAWN	SB	25/10/2012		TITLE: Wide Dual acting foot pedal Dual Analog 0.5 - 2.5 - 4.5V Signal1 = Signal2	
CHK'D	XG	25/10/2012		MATERIAL: See exploded view	DWG NO.
This drawing is confidential and remains the sole property of Mobile Control Systems S.A. This document is protected in accordance with the prevailing law.			WEIGHT: 2 000 gr	SCALE:1:2	REV: SHEET 1 OF 1